

# RUBIN K710



1 SEAT



SIDE VIEW



2 SEAT



3 SEAT



PALL A



PALL B

## SEAT CONSTRUCTION

3 component seat cushion construction (2.5-4-7.5-5) made from environmental friendly high resilience comfort foam. All wrapped with high quality fiber padding. Density of foam used in the seat between 30kgs to 36kgs. Our seats are produced with the highest environmental standard to protect you and the environment and to minimize undesirable odors.

## BACK PILLOW CONSTRUCTION

The Back pillow is made with environmental friendly high resilience siliconized fiber. The siliconized fiber has undergone a through process to create softness and resilience. The fiber is wrapped in a fabric pillow before upholstery. The back pillow gives therefore a unique lasting comfort feel.

**IMG**  
N O R W A Y  
[www.imgcomfort.com](http://www.imgcomfort.com)

TAKING COMFORT TO A NEW LEVEL

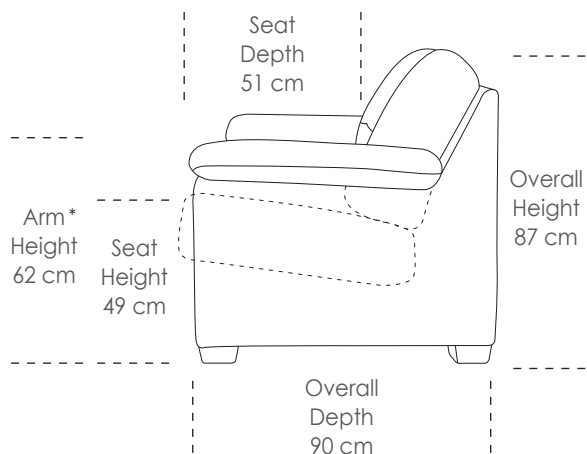
# RUBIN K710

## Standard Features

- Frames are made from solid wood and gross-grain laminated veneer woods.
- All corner joints are reinforced with corner blocks.
- Zig zag(Nozag) seat springs with soft front edge.
- Webbing support on back giving the most comfortable feeling.
- Cap-on back and seat pillows.
- Detached arms increase flexibility and reduce handling and servicing cost.
- Wood leg standard.

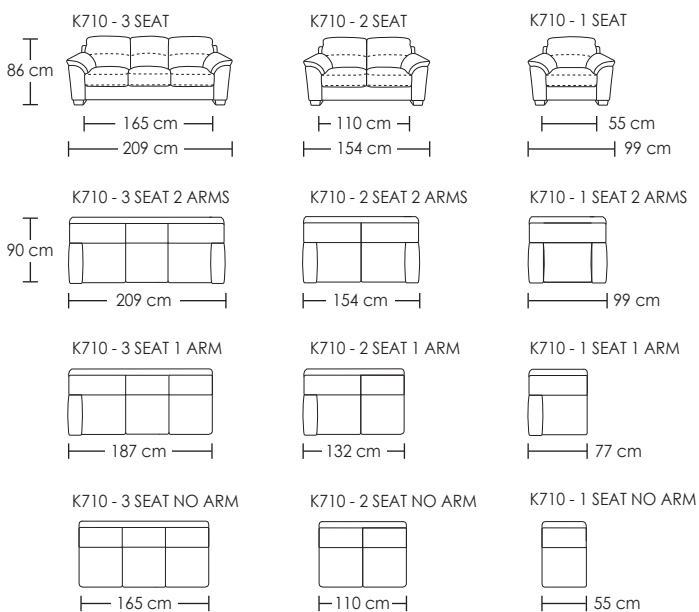
## Options

- Number of different wood finishes.
- Leather or fabric choices.

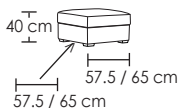


\*Note: arm height for this frame is measured at the highest poing of the arm.

\*The dimensions are approximate and may vary with +/- 2cm.



## SMALL & BIG SINGLE OTTOMAN



## LARGE OTTOMAN

