

# SOPRANO A180



1 SEAT



SIDE VIEW



2 SEAT

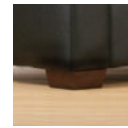


3 SEAT



3 SEAT DUO

## LEG BASE STYLE OPTION :



HIGH WOOD LEG

WOOD LEG  
(STANDARD)

PALL A



PALL B



### SEAT CONSTRUCTION

3 component seat cushion contraction (3-10-3) made from environmental friendly high resilience comfort foam. All wrapped with high quality fiber padding. Density of foam used in the seat between 30kgs to 36kgs. Our seats are produced with the highest environmental standard to protect you and the environment and to minimize undesirable odors.

### BACK PILLOW CONSTRUCTION

The back pillow is made from environmental friendly high resilience comfort foam. All wrapped with high quality fiber padding. Density of foam used in the back pillow is around 30-32kgs. Our back pillows are produced with the highest environmental standards to protect you and the environment and to minimize undesirable odors. If desired you could ask for Back cushion filled with polyester ball fiber in three separate chambers with a special formed integrated lumber designs for additional comfort and correct lumber support.  
Standard: Foam.  
Option: Ball Fiber.

**IMG**  
N O R W A Y

[www.imgcomfort.com](http://www.imgcomfort.com)

TAKING COMFORT TO A NEW LEVEL

# SOPRANO A180

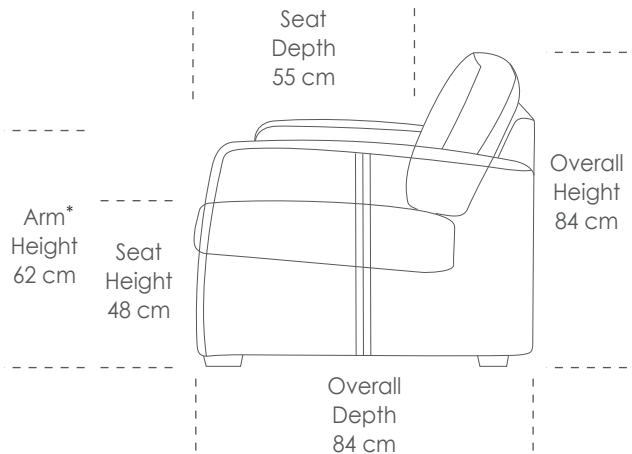
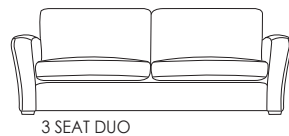
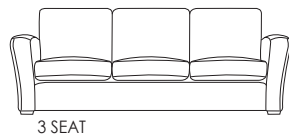
## Standard Features

- Frames are made from solid wood and gross-grain laminated veneer woods.
- All corner joints are reinforced with corner blocks.
- Zig zag(Nozag) seat springs with soft front edge.
- Hardboard back support.
- Loose seat and back pillows.
- Fabric cushions are reversible.
- Fabric cushion cover can be removed and washed, according to the wash and care instruction for the particular fabric used.
- Reversible corner units (e.g. 3-corner-2 could be changed to 2-corner-3)
- Detached arms increase flexibility and reduce handling and servicing cost.
- Wood legs standard.

## Options

- Different leg design. Number of different wood finishes.
- Leather or fabric choices.
- Back pillow filled with high resilience polyester ball fiber instead of comfort foam.

1) We can deliver the 3 seat as duo (2 Pillows).  
Dimensions the same as 3 seat.



\*Note: arm height for this frame is measured at the highest poing of the arm.

\*The dimensions are approximate and may vary with +/- 2cm.

<p>A1801 - 3 SEAT 1) 78 cm 172.5 cm 208.5 cm</p>	<p>A1802 - 2.5 SEAT 130 cm 166 cm</p>	<p>A1801 - 2 SEAT 115 cm 151 cm</p>	<p>A1802 - 1.5 SEAT 65 cm 101 cm</p>	<p>A1801 - 1 SEAT 57.5 cm 93.5 cm</p>
<p>A1801 - 3 SEAT 2 ARMS 88 cm 208.5 cm</p>	<p>A1802 - 2.5 SEAT 2 ARMS 166 cm</p>	<p>A1801 - 2 SEAT 2 ARMS 151 cm</p>	<p>A1802 - 1.5 SEAT 2 ARMS 101 cm</p>	<p>A1801 - 1 SEAT 2 ARMS 93.5 cm</p>
<p>A1801 - 3 SEAT 1 ARM 190.5 cm</p>	<p>A1802 - 2.5 SEAT 1 ARM 148 cm</p>	<p>A1801 - 2 SEAT 1 ARM 133 cm</p>	<p>A1802 - 1.5 SEAT 1 ARM 83 cm</p>	<p>A1801 - 1 SEAT 1 ARM 75.5 cm</p>
<p>A1801 - 3 SEAT NO ARM 172.5 cm</p>	<p>A1802 - 2.5 SEAT NO ARM 130 cm</p>	<p>A1801 - 2 SEAT NO ARM 115 cm</p>	<p>A1802 - 1.5 SEAT NO ARM 65 cm</p>	<p>A1801 - 1 SEAT NO ARM 57.5 cm</p>
<p>A1801 OPEN ENDING CORNER 112.5 cm 90 cm</p>	<p>A1802 OPEN ENDING CORNER 120 cm 90 cm</p>	<p>A1801 - 3 SEAT 1 ARM A1801 CORNER A1801 OPEN ENDING CORNER 200.5 cm 278.5 cm</p>		<p>A1801 - 3 SEAT 1 ARM A1801 CORNER A1801 - 2 SEAT 1 ARM 221 cm 278.5 cm</p>
<p>*A1801 SEPARATE LONG OTTOMAN 158 cm 124 cm 57.5 cm</p>	<p>*A1802 SEPARATE LONG OTTOMAN 158 cm 124 cm 65 cm</p>	<p>A1801 - 3 SEAT 2 ARMS A1801 SEPARATE LONG OTTOMAN 158 cm 208.5 cm</p>		
<p>A1801 CORNER 88 cm 88 cm</p>	<p>SMALL &amp; BIG SINGLE OTTOMAN 40 cm 57.5 / 65 cm</p>	<p>LARGE OTTOMAN 40 cm 65 cm 130 cm</p>	<p>SEPARATE LONG OTTOMAN</p>	

\*Note: This will be delivered as an extra long seat pillow with a supporting front frame.

