

CALVIN A150

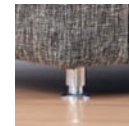


1 SEAT

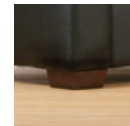


SIDE VIEW

LEG BASE STYLE OPTION :



STEEL LEG



HIGH WOOD LEG

WOOD LEG
(STANDARD)

2 SEAT



PALL A



3 SEAT



3 SEAT DUO



PALL B



3 - CORNER - 2



3 SEAT WITH SEPARATE LONG OTTOMAN

SEAT CONSTRUCTION

3 component seat cushion construction (3-10-3) made from environmental friendly high resilience comfort foam. All wrapped with high quality fiber padding. Density of foam used in the seat between 30kgs to 36kgs. Our seats are produced with the highest environmental standard to protect you and the environment and to minimize undesirable odors.

BACK PILLOW CONSTRUCTION

The back pillow is made from environmental friendly high resilience comfort foam. All wrapped with high quality fiber padding. Density of foam used in the back pillow is around 30-32kgs. Our back pillows are produced with the highest environmental standards to protect you and the environment and to minimize undesirable odors. If desired you could ask for Back cushion filled with polyester ball fiber in three separate chambers with a special formed integrated lumbar designs for additional comfort and correct lumbar support.

Standard: Foam.
Option: Ball Fiber.

IMG
N O R W A Y
www.imgcomfort.com

TAKING COMFORT TO A NEW LEVEL

CALVIN A150

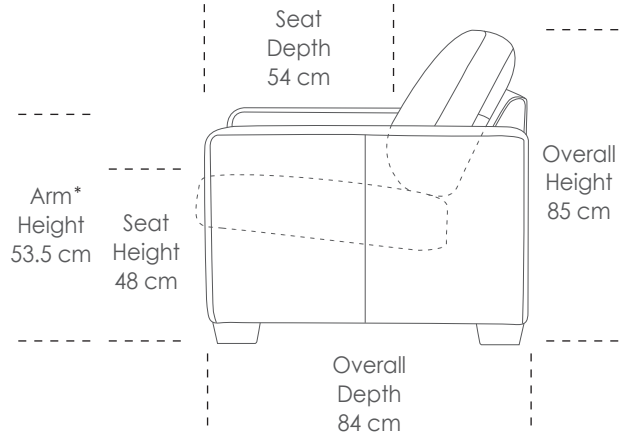
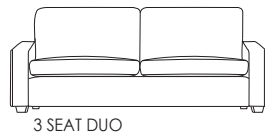
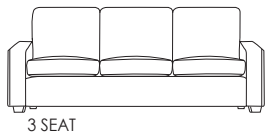
Standard Features

- Frames are made from solid wood and gross-grain laminated veneer woods.
- All corner joints are reinforced with corner blocks.
- Zig zag(Nozag) seat springs with soft front edge.
- Hardboard back support.
- Loose seat and back pillows.
- Fabric cushions are reversible.
- Fabric cushion cover can be removed and washed, according to the wash and care instruction for the particular fabric used.
- Reversible corner units (e.g. 3-corner-2 could be changed to 2-corner-3)
- Detached arms increase flexibility and reduce handling and servicing cost.
- Wood legs standard. Aluminum legs optional.

Options

- Different leg design. Number of different wood finishes.
- Leather or fabric choices.
- Back pillow filled with high resilience polyester ball fiber instead of comfort foam.

1) We can deliver the 3 seat as duo (2 Pillows).
Dimensions the same as 3 seat.



*Note: arm height for this frame is measured at the highest poing of the arm.

*The dimensions are approximate and may vary with +/- 2cm.

<p>A1502 - 3.5 SEAT¹⁾</p>	<p>A1501 - 3 SEAT¹⁾</p>	<p>A1502 - 2.5 SEAT</p>	<p>A1501 - 2 SEAT</p>	<p>A1502 - 1.5 SEAT</p>	<p>A1501 - 1 SEAT</p>
<p>A1502 - 3.5 SEAT 2 ARMS</p>	<p>A1501 - 3 SEAT 2 ARMS</p>	<p>A1502 - 2.5 SEAT 2 ARMS</p>	<p>A1501 - 2 SEAT 2 ARMS</p>	<p>A1502 - 1.5 SEAT 2 ARMS</p>	<p>A1501 - 1 SEAT 2 ARMS</p>
<p>A1502 - 3.5 SEAT 1 ARM</p>	<p>A1501 - 3 SEAT 1 ARM</p>	<p>A1502 - 2.5 SEAT 1 ARM</p>	<p>A1501 - 2 SEAT 1 ARM</p>	<p>A1502 - 1.5 SEAT 1 ARM</p>	<p>A1501 - 1 SEAT 1 ARM</p>
<p>A1502 - 3.5 SEAT NO ARM</p>	<p>A1501 - 3 SEAT NO ARM</p>	<p>A1502 - 2.5 SEAT NO ARM</p>	<p>A1501 - 2 SEAT NO ARM</p>	<p>A1502 - 1.5 SEAT NO ARM</p>	<p>A1501 - 1 SEAT NO ARM</p>
<p>A1501 OPEN ENDING CORNER</p>	<p>A1502 OPEN ENDING CORNER</p>	<p>200.5 cm</p>		<p>235 cm</p>	
<p>*A1501 SEPARATE LONG OTTOMAN</p>	<p>*A1502 SEPARATE LONG OTTOMAN</p>	<p>300 cm</p>			
<p>A1501 CORNER</p>	<p>SMALL & BIG SINGLE OTTOMAN</p>	<p>LARGE OTTOMAN</p>	<p>SEPARATE LONG OTTOMAN</p>	<p>158 cm</p>	

*Note: This will be delivered as an extra long seat pillow with a supporting front frame.

