

BENTLEY A250



1 SEAT



SIDE VIEW



2 SEAT



PALL A



3 SEAT



3 SEAT DUO



PALL B

SEAT CONSTRUCTION

3 component seat cushion construction (3-10-3) made from environmental friendly high resilience comfort foam. All wrapped with high quality fiber padding. Density of foam used in the seat between 30kgs to 36kgs. Our seats are produced with the highest environmental standard to protect you and the environment and to minimize undesirable odors.

BACK PILLOW CONSTRUCTION

The back pillow is made from high quality feather and down blended with polyester fiber in three separate chambers with a special formed integrated lumber designs for additional comfort and correct lumber support. Our back pillows are produced with the highest environmental standards to protect you and the environment and to minimize undesirable odors.

If desired you could ask for Back cushion filled with only Polyester ball fiber.

Standard: Feather + Ball Fiber.

Option: Ball Fiber.

IMG
N O R W A Y

www.imgcomfort.com

TAKING COMFORT TO A NEW LEVEL

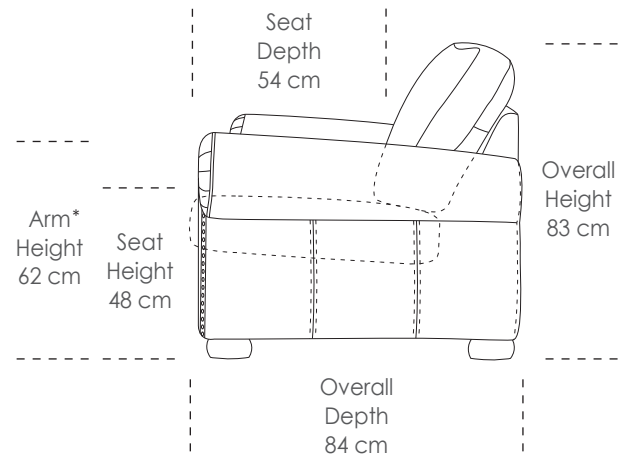
BENTLEY A250

Standard Features

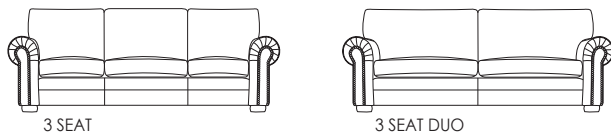
- Frames are made from solid wood and gross-grain laminated veneer woods.
- All corner joints are reinforced with corner blocks.
- Zig zag(Nozag) seat springs with soft front edge.
- Hardboard back support.
- Loose seat and back pillows.
- Fabric cushions are reversible.
- Fabric cushion cover can be removed and washed, according to the wash and care instruction for the particular fabric used.
- Reversible corner units (e.g. 3-corner-2 could be changed to 2-corner-3)
- Detached arms increase flexibility and reduce handling and servicing cost.
- Wood leg standard.

Options

- Number of different wood finishes.
- Leather or fabric choices.
- Back pillow filled with high quality resilience polyester ball fiber instead of feather and down blend.

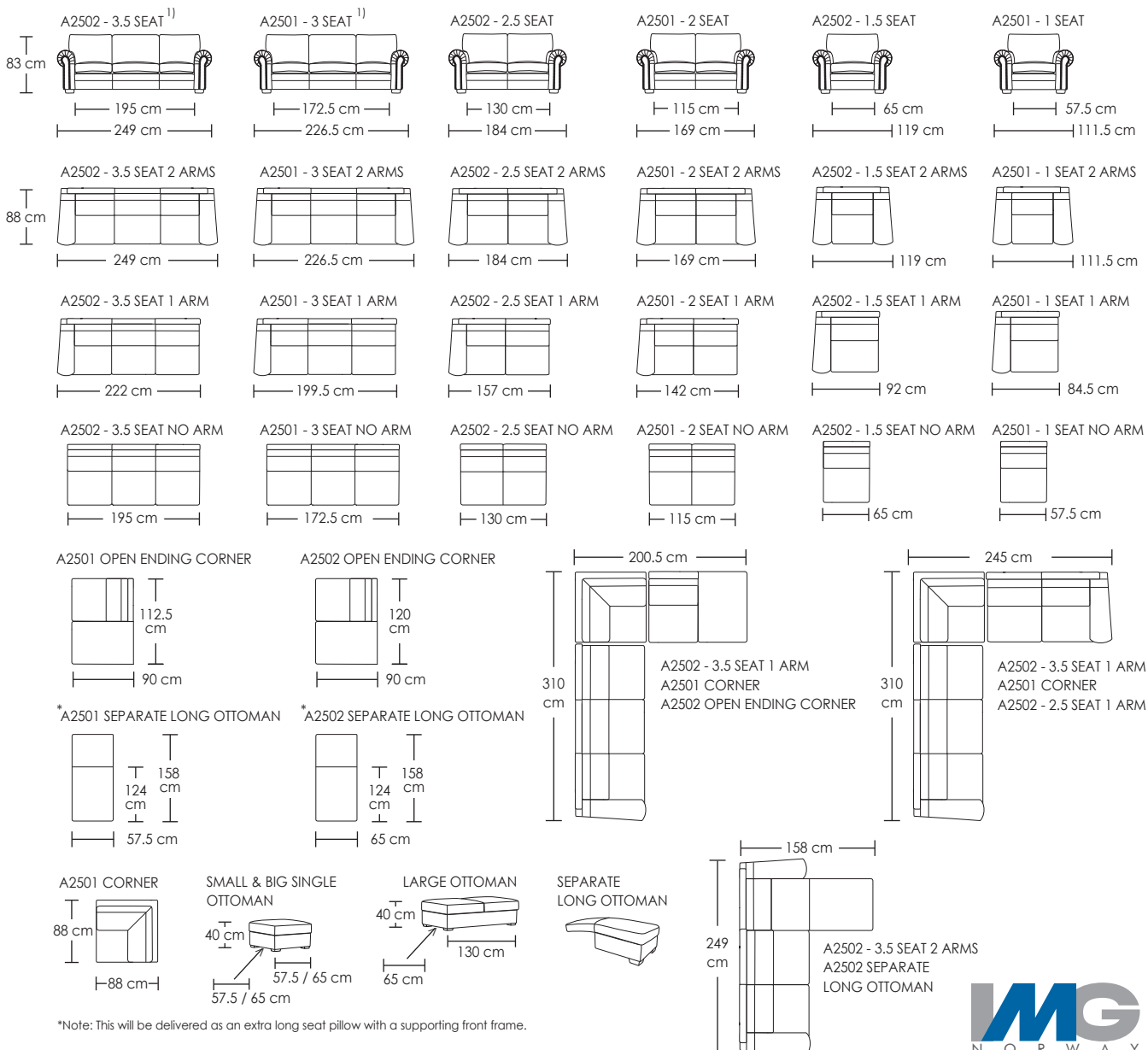


1) We can deliver the 3 seat as duo (2 Pillows). Dimensions the same as 3 seat.



*Note: arm height for this frame is measured at the highest poing of the arm.

*The dimensions are approximate and may vary with +/- 2cm.



*Note: This will be delivered as an extra long seat pillow with a supporting front frame.

