

# ATLANTA BASIC A224



PALL A



PALL B

### SEAT CONSTRUCTION

3 component seat cushion construction (3-10-3) made from environmental friendly high resilience comfort foam. All wrapped with high quality fiber padding. Density of foam used in the seat between 30kgs to 36kgs. Our seats are produced with the highest environmental standard to protect you and the environment and to minimize undesirable odors.

### BACK PILLOW CONSTRUCTION

The back pillow is made from polyester ball fiber in three separate chambers with a special formed integrated lumbar designs for additional comfort and correct lumbar support. Our back pillows are produced with the highest environmental standards to protect you and the environment and to minimize undesirable odors. If desired you could ask for Back cushion filled with environmental friendly high resilience comfort foam. All wrapped with high quality fiber padding. Density of foam used in the back pillow is around 30kgs.  
Standard: Fiber.  
Option: Foam.

**IMG**  
N O R W A Y

[www.imgcomfort.com](http://www.imgcomfort.com)

TAKING COMFORT TO A NEW LEVEL

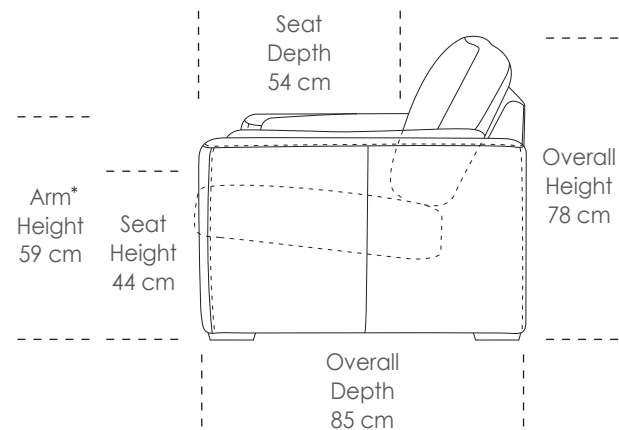
# ATLANTA BASIC A224

## Standard Features

- Frames are made from solid wood and gross-grain laminated veneer woods.
- All corner joints are reinforced with corner blocks.
- Zig zag(Nozag) seat springs with soft front edge.
- Hardboard back support.
- Loose back pillows with Velcro attachment.
- Fixed (cap on) seat pillow.
- Detached arms increase flexibility and reduce handling and servicing cost.
- Wood legs standard.

## Options

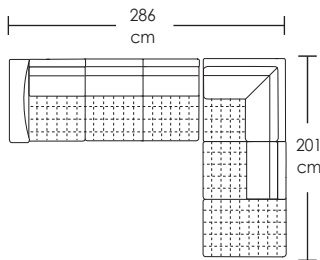
- Number of different wood finishes.
- Leather or fabric choices.
- Back pillow filled with high resilience foam instead of polyester fiber.



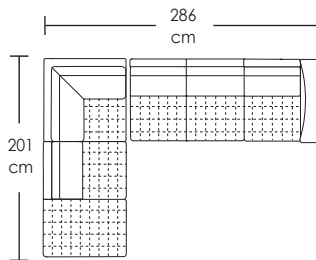
\*Note: arm height for this frame is measured at the highest poing of the arm.

\*The dimensions are approximate and may vary with +/- 2cm.

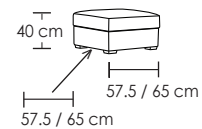
A2241 3CO  
3 SEAT CORNER OPEN ENDING



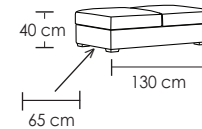
A2241 OC3  
OPEN ENDING CORNER 3 SEAT



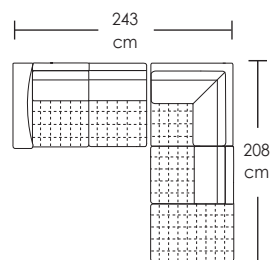
SMALL & BIG SINGLE  
OTTOMAN



LARGE OTTOMAN



A2242 2CO  
2.5 SEAT CORNER OPEN ENDING



A2242 OC2  
OPEN ENDING CORNER 2.5 SEAT

